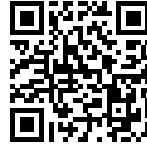


Multifunction steam oven FL

Ovens and Coordinated Products

Code: 7103 180



COOKING PROGRAMS

Thawing It allows you to defrost foods in a third of the time through the uniform distribution of air at room temperature.

DETAILS

Coloring White

Material Glass

Supply 220-240 V 50/60 Hz

Water container 1,2 Liters

Dimensions 60x46 cm

Number of door glasses 2 glasses

Programming Electronic self-cooking programming

Type of cooling

Tangential ventilation

Safety

Door Lock

Oven type

Steam oven

Type of operation

External boiler - controlled introduction of steam into the cooking chamber 40-100 ° C

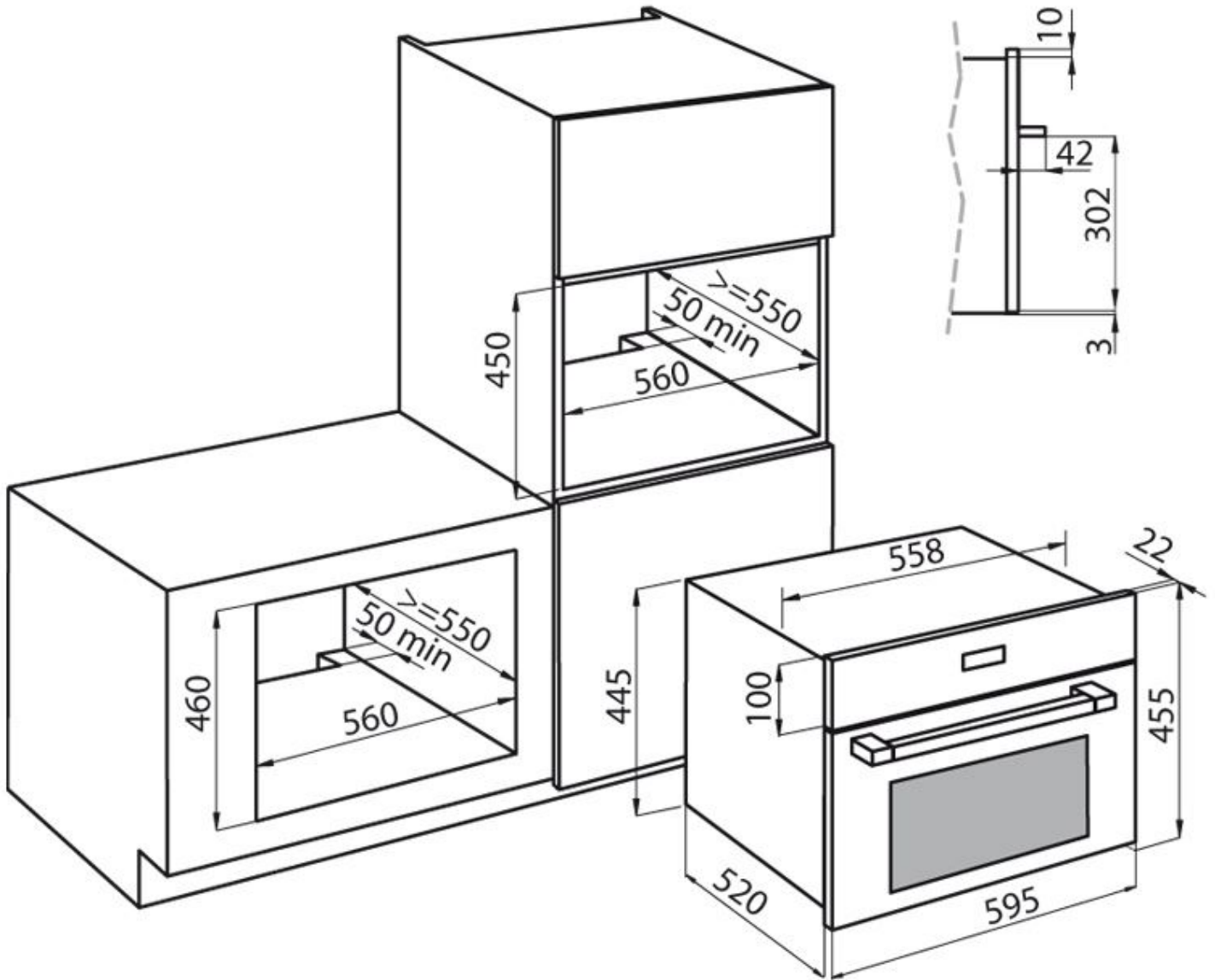
Type of commands

Touch Control

Volume

35Lt

TECHNICAL DATA



GALLERY

